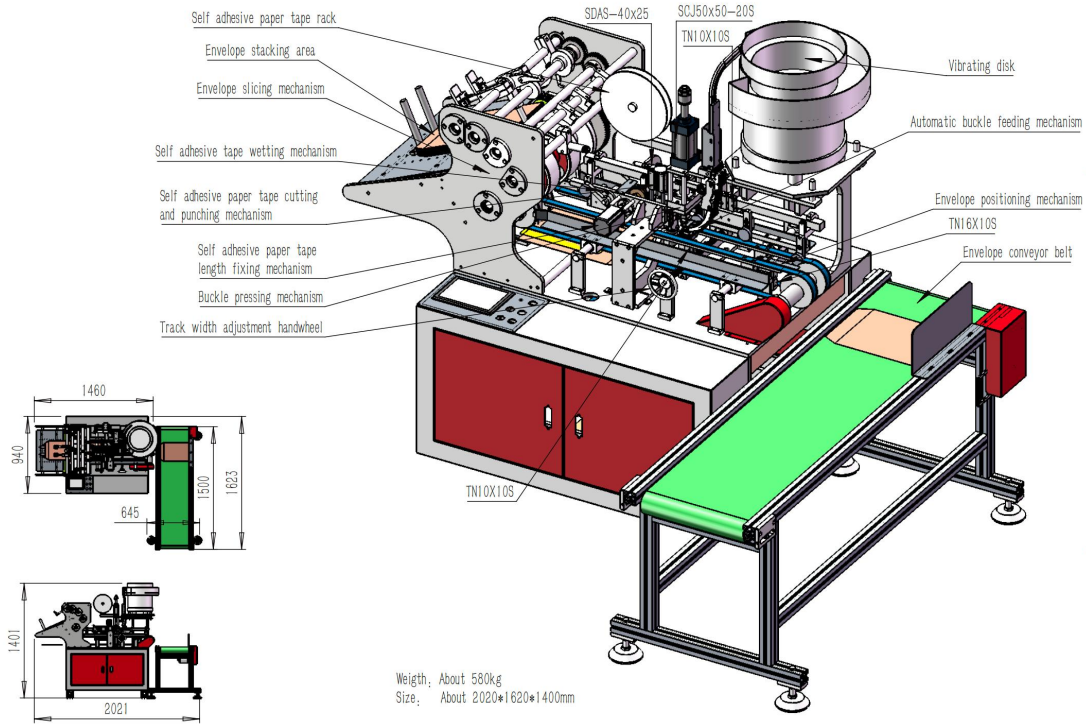




宁波宾朋机械贸易有限公司

NINGBO BINPENG MACHINERY CO.,LTD

Clasp envelope machine BP001



Description :

BP001 clasp envelope is special made for Kraft envelop clasp metal and paper hole gule inserting.

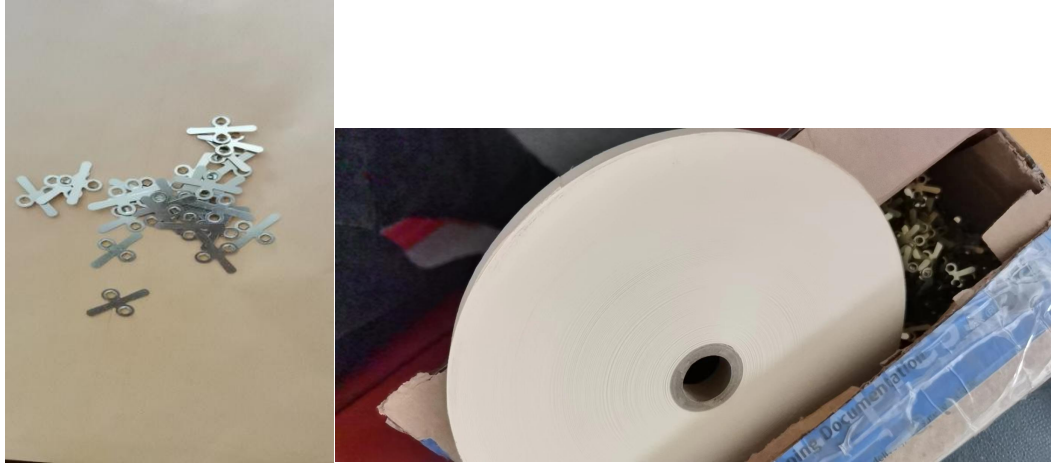


Technical data :

Speed	20-50 pcs/min
Envelope width	120-250mm
Dimension	2025x950x1400MM
Envelope length	No limit
Power	220v ,2kw
Weight	620KG

Material for test and produce :

We need yourside given us clasp metal and self adhesive paper tape



Machine picture :

